



锻钢阀系列 FORGED STEEL VALVE SERIES

品质卓越 · 广信天下



中国·广信阀门有限公司
CHINA GUANGXIN VALVE CO., LTD.

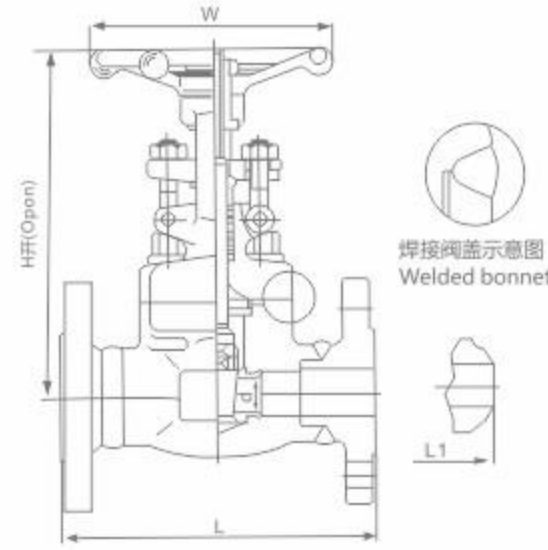


微信二维码

137 3633 6189

地址：浙江省温州市龙湾区永兴街道港腾路6-7号
电话：0577-86897996 | 传真：0577-86897997

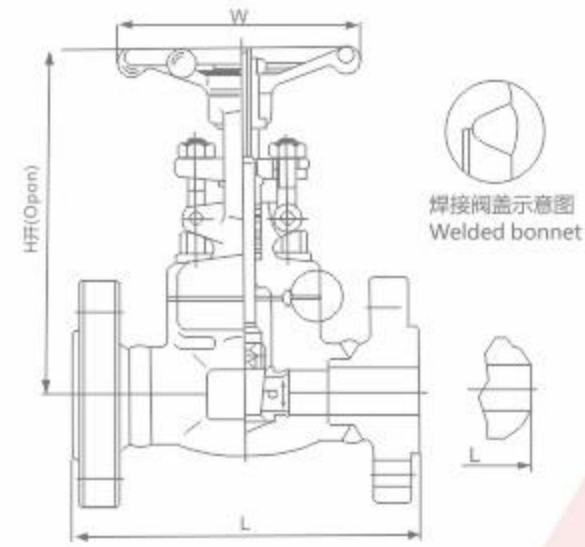
www.cngxv.com



CL150-300-600

规格(NPS) Specification			1/4	3/8	1/2	3/4	1	1 1/4	1 1/2	2	2 1/2
结构长度(mm) Face to face	CL150	L(RF) L1(BW)	-	-	108	117	127	140	165	178	190
	CL300		-	-	140	152	165	178	190	216	241
	CL600		-	-	165	190	216	229	241	292	330
手轮直径(mm) Handwheel diameter	W	-	-	100	100	125	160	160	180	200	
中心高度(开) (mm)Height	CL150/CL300	H	-	-	176	184	217	226	250	290	357
	CL600		-	-	161	163	196	226	250	290	357
流道孔径(mm) Flow port dimension	d	-	-	10	13.5	18	24	29	36.5	45	
重量(Kg) Weight	CL150	RF	-	-	3.4	3.98	6.12	7.2	10.4	15.5	24.5
		BW	-	-	2.8	3.3	5.4	6.5	8.2	12.5	20
	CL300	RF	-	-	3.77	4.89	7.23	9.6	12.64	18	26.2
		BW	-	-	3.5	4.4	6.8	8.1	9.2	15.4	22
	CL600	RF	-	-	4.2	5.8	8.8	12.1	15.6	19.5	32
		BW	-	-	4.5	5.1	8.2	10.5	12.4	20.1	28

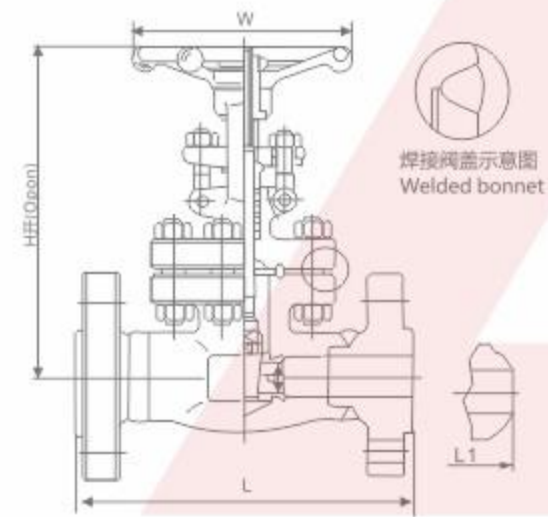
螺栓连接阀盖, 缩径和全径, 明杆支架 (OS&Y), 末端连接为法兰或对焊连接, 设计按API 602;BS5352
Bolted bonnet, full port reducing port outside screw and yoke(OS&Y)
Flange-welded or but-welded ends; design to API602;BS5352



CL900-CL1500

规格(NPS) Specification			F.P	1/4	3/8	1/2	3/4	1	1 1/4	1 1/2	2
结构长度(mm) Face to face	L(RF)L1(BW)	-	-	-	-	216	229	254	279	305	368
	L(RTJ)	-	-	-	-	216	229	254	279	305	371
手轮直径(mm) Handwheel diameter	W	-	-	-	-	125	125	160	180	200	220
中心高度(开) (mm)Height	H	-	-	-	-	191	192	219	257	296	316
流道孔径(mm) Flow port dimension	d	-	-	-	-	13.5	18	24	29	36.5	45
重量(Kg) Weight		-	-	-	-	7.2	11.5	15.6	16.2	22.6	28.2

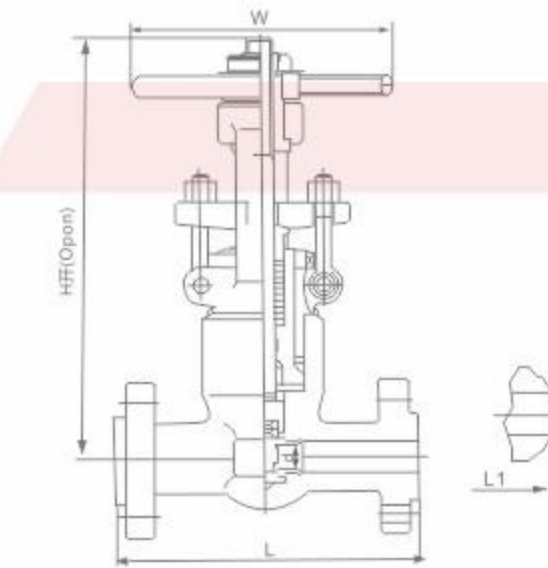
螺栓连接阀盖, 缩径和全径, 明杆支架 (OS&Y), 末端连接为法兰或对焊连接, 设计按API 602;BS5352
Bolted bonnet, full port reducing port outside screw and yoke(OS&Y)
Flange-welded or but-welded ends; design to API602;BS5352



CL2500

规格(NPS) Specification			F.P	1/4	3/8	1/2	3/4	1	1 1/4	1 1/2	2
结构长度(mm) Face to face	L(RF)L1(BW)	-	-	-	-	264	273	305	-	384	451
	L(RTJ)	-	-	-	-	264	273	308	-	387	454
手轮直径(mm) Handwheel diameter	W	-	-	-	-	125	160	160	-	200	240
中心高度(开) (mm)Height	H	-	-	-	-	207	240	258	-	355	370
流道孔径(mm) Flow port dimension	d	-	-	-	-	13.5	13.5	19	-	20	36.5
重量(Kg) Weight		-	-	-	-	19.5	21.5	42	-	65	95

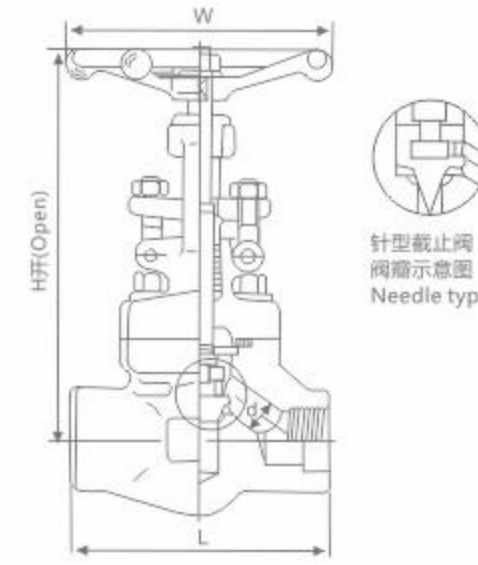
螺栓连接阀盖, 缩径和全径, 明杆支架 (OS&Y), 末端连接为法兰或对焊连接, 设计按API 602;BS5352
Bolted bonnet, full port reducing port outside screw and yoke(OS&Y)
Flange-welded or but-welded ends; design to API602;BS5352



CL2500

规格(NPS) Specification			F.P	1/4	3/8	1/2	3/4	1	1 1/4	1 1/2	2
结构长度(mm) Face to face	L(RF)L1(BW)	-	-	-	-	264	273	308	-	384	451
	L(RTJ)	-	-	-	-	264	273	308	-	387	454
手轮直径(mm) Handwheel diameter	W	-	-	-	-	200	200	200	-	280	300
中心高度(开) (mm)Height	H	-	-	-	-	325	325	327	-	478	540
流道孔径(mm) Flow port dimension	d	-	-	-	-	13.5	13.5	19	-	30	36.5
重量(Kg) Weight		-	-	-	-	14.6	16.8	17.6	-	25	31.9

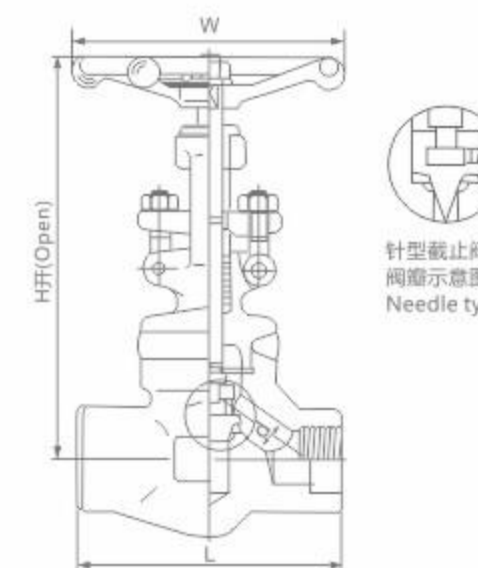
螺栓连接阀盖, 缩径和全径, 明杆支架 (OS&Y), 末端连接为法兰或对焊连接, 设计按API 602;BS5352
Bolted bonnet, full port reducing port outside screw and yoke(OS&Y)
Flange-welded or but-welded ends; design to API602;BS5352



CL800

规格(NPS) Specification	R.P	1/2	3/4	1	1 1/4	1 1/2	2	2 1/2	3	
	F.P	1/4	3/8	1/2	3/4	1	1 1/4	1 1/2	2	
结构长度(mm)Face to face	L	79	79	92	111	120	152	172	200	-
手轮直径(mm)Handwheel diameter	W	100	100	100	125	160	160	180	200	-
中心高度(开)(mm)Height	H	164	164	164	203	224	260	300	355	-
流道孔径(mm)Flow port dimension	d	7	9	13	17.5	23	30	35	46	-
重量(Kg)Weight		1.9	2.28	2.37	4.3	5.75	7.8	12.5	17.5	-

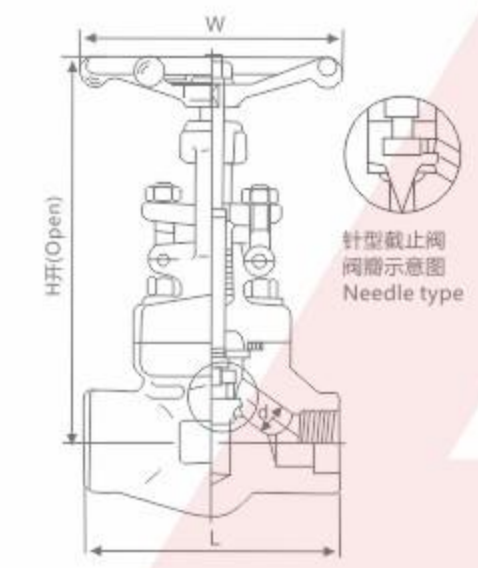
螺栓连接阀盖, 缩径和全径, 明杆支架 (OS&Y), 末端连接可按螺纹或承插焊, 设计按BS5352
Bolted bonnet, full port reducing port outside screw and yoke(OS&Y)
Threaded, butt-welded or socket welded ends; design to BS5352



CL800

规格(NPS) Specification	R.P	1/2	3/4	1	1 1/4	1 1/2	2	2 1/2	3	
	F.P	1/4	3/8	1/2	3/4	1	1 1/4	1 1/2	2	
结构长度(mm)Face to face	L	79	79	92	111	120	152	172	200	-
手轮直径(mm)Handwheel diameter	W	100	100	100	125	160	160	180	200	-
中心高度(开)(mm)Height	H	164	164	164	203	224	260	300	355	-
流道孔径(mm)Flow port dimension	d	7	9	13	17.5	23	30	35	46	-
重量(Kg)Weight		1.7	1.7	1.9	3.3	5.2	6.8	10.6	13.8	-

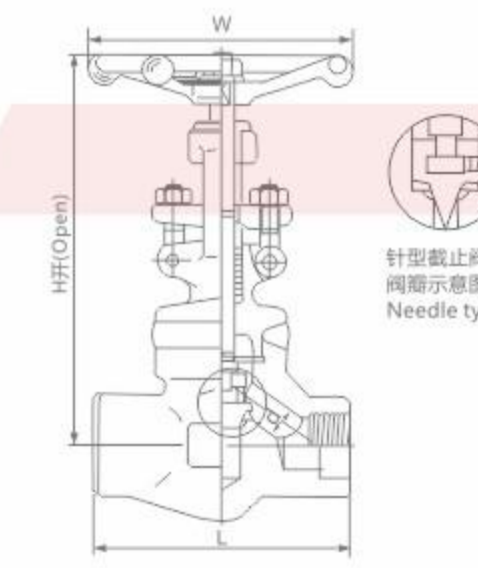
螺栓连接阀盖, 缩径和全径, 明杆支架 (OS&Y), 末端连接可按螺纹或承插焊, 设计按BS5352
Bolted bonnet, full port reducing port outside screw and yoke(OS&Y)
Threaded, butt-welded or socket welded ends; design to BS5352



CL900-CL1500

规格(NPS) Specification	R.P	1/2	3/4	1	1 1/4	1 1/2	2	2 1/2	3
	F.P	1/4	3/8	1/2	3/4	1	1 1/4	1 1/2	2
结构长度(mm)Face to face	L	92	111	111	120	152	172	200	220
手轮直径(mm)Handwheel diameter	W	100	125	125	160	160	180	200	240
中心高度(开)(mm)Height	H	171	207	207	240	258	330	355	370
流道孔径(mm)Flow port dimension	d	7	12	15	20	28	32	40	45
重量(Kg)Weight		2.3	3.6	3.7	6.8	7.6	11.6	15	21.9

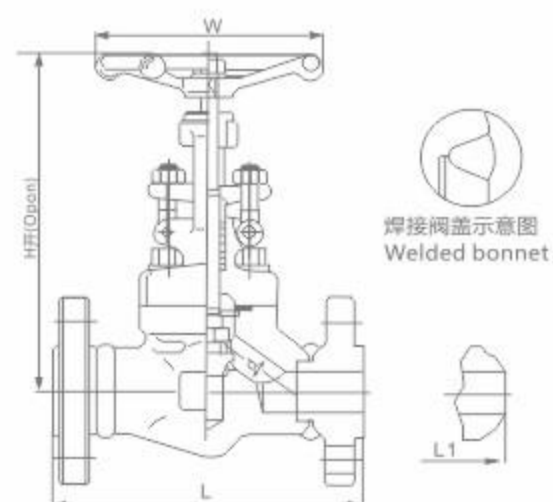
螺栓连接阀盖, 缩径和全径, 明杆支架 (OS&Y), 末端连接可按螺纹或承插焊, 设计按BS5352
Bolted bonnet, full port reducing port outside screw and yoke(OS&Y)
Threaded, butt-welded or socket welded ends; design to BS5352



CL900-CL1500

规格(NPS) Specification	R.P	1/2	3/4	1	1 1/4	1 1/2	2	2 1/2	3
	F.P	1/4	3/8	1/2	3/4	1	1 1/4	1 1/2	2
结构长度(mm)Face to face	L	92	111	111	120	152	172	200	220
手轮直径(mm)Handwheel diameter	W	100	125	125	160	160	180	200	240
中心高度(开)(mm)Height	H	171	207	207	240	258	330	355	370
流道孔径(mm)Flow port dimension	d		12	15	20	28	32	40	45
重量(Kg)Weight		2.2	3.3	3.4	5.6	6.0	10.3	14.2	18.0

螺栓连接阀盖, 缩径和全径, 明杆支架 (OS&Y), 末端连接可按螺纹或承插焊, 设计按BS5352
Bolted bonnet, full port reducing port outside screw and yoke(OS&Y)
Threaded, butt-welded or socket welded ends; design to BS5352



CL150-300-600

规格(NPS) Specification			1/4	3/8	1/2	3/4	1	1 1/4	1 1/2	2
结构长度(mm) Face to face	CL150	L(RF)	-	-	108	117	127	140	165	203
	CL300	L1(BW)	-	-	152	178	203	216	229	267
	CL600		-	-	165	190	216	229	241	292
手轮直径(mm) Handwheel diameter	W		-	-	100	100	125	160	160	180
中心高度(开) (mm)Height	CL150/CL300	H	-	-	180	184	217	224	260	300
	CL600		-	-	164	164	203	224	260	300
流道孔径(mm) Flow port dimension	d		-	-	9	13	17.5	23	30	35
重量(Kg) Weight	CL150	RF	-	-	3.45	4.0	6.19	9.6	10.5	17
		BW	-	-	2.3	3.6	7.8	8.2	12.0	15.0
	CL300	RF	-	-	3.8	5.1	7.2	12	13.5	19.7
		BW	-	-	2.8	4.0	8.5	9.2	12.6	16.8
	CL600	RF	-	-	5.6	7.8	12.5	17	23.5	38.8
		BW	-	-	3.4	4.7	9.2	10.5	13.3	18.9

注：如需法兰和阀体一体式锻造的请与TIANBANG销售人员联系。

Flange integrity Forged Steel Valve Enquiry Please Contact Sales Department.

螺栓连接阀盖，全径，明杆支架 (OS&Y)，末端连接为焊接法兰或对焊连接，设计按 Bs5352

Welded bonnet, full port outside screw and yoke (OS&Y), Flange-welded or but-welded ends; design to BS5352

CL900-CL1500

规格(NPS) Specification		F.P	1/4	3/8	1/2	3/4	1	1 1/4	1 1/2	2
结构长度(mm) Face to face		L(RF)L1(BW)	-	-	216	229	254	279	305	368
		L(RTJ)	-	-	216	229	254	279	305	371
手轮直径(mm) Handwheel diameter	W		-	-	125	125	160	160	180	200
中心高度(开)(mm) Height	H		-	-	207	207	230	160	300	355
流道孔径(mm) Flow port dimension	d		-	-	12	15	20	28	32	40
重量(Kg) Weight			-	-	11	13.2	17.4	19	24.5	31

注：如需法兰和阀体一体式锻造的请与TIANBANG销售人员联系。

Flange integrity Forged Steel Valve Enquiry Please Contact Sales Department.

螺栓连接阀盖，全径，明杆支架 (OS&Y)，末端连接为焊接法兰或对焊连接，设计按 Bs5352

Welded bonnet, full port outside screw and yoke (OS&Y), Flange-welded or but-welded ends; design to BS5352

CL2500

规格(NPS) Specification		F.P	1/4	3/8	1/2	3/4	1	1 1/4	1 1/2	2
结构长度(mm) Face to face		L(RF)L1(BW)	-	-	264	273	308	-	384	451
		L(RTJ)	-	-	264	273	308	-	387	454
手轮直径(mm) Handwheel diameter	W		-	-	125	160	200	-	250	240
中心高度(开)(mm) Height	H		-	-	207	240	258	-	355	300
流道孔径(mm) Flow port dimension	d		-	-	11	14	19	-	28	35
重量(Kg) Weight			-	-	19.5	21.5	42	-	65	95

螺栓连接阀盖 (RJ)，全径，明杆支架 (OS&Y)，末端连接为焊接法兰或对焊连接，设计按 ASME B16.34

Welded bonnet, full port outside screw and yoke (OS&Y), Flange-welded or but-welded ends; design to ASME B16.34

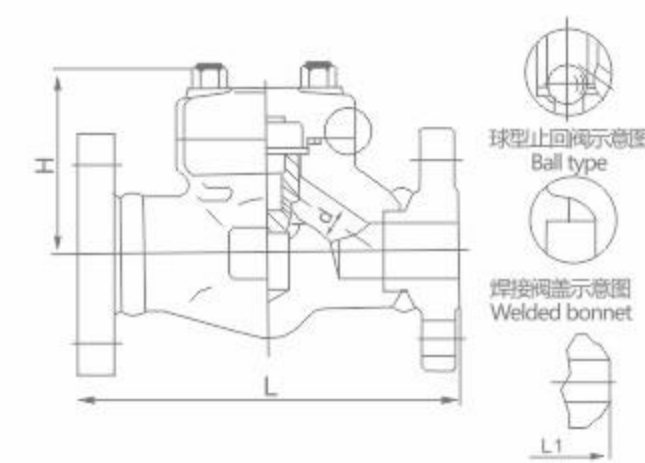
CL2500

规格(NPS) Specification		F.P	1/4	3/8	1/2	3/4	1	1 1/4	1 1/2	2
结构长度(mm) Face to face		L(RF)L1(BW)	-	-	264	273	308	394	384	451
		L(RTJ)	-	-	264	273	308	394	387	454
手轮直径(mm) Handwheel diameter	W		-	-	200	200	280	280	280	300
中心高度(开)(mm) Height	H		-	-	320	320	320	440	440	490
流道孔径(mm) Flow port dimension	d		-	-	11	14	19	25	28	35
重量(Kg) Weight			-	-	21.5	24.7	30.4	48.1	58.1	130

压力自紧式密封阀，全径，明杆支架 (OS&Y)，末端连接为焊接法兰或对焊连接，设计按 ASME B16.34

Pressure seal gate valves, full port outside screw and yoke (OS&Y)

Flange-welded or but-welded ends; design to ASME B16.34



CL150-300-600

规格(NPS) Specification		R.P	1/4	3/8	1/2	3/4	1	1 1/4	1 1/2	2
结构长度(mm) Face to face	CL150	L(RF)	-	-	108	118	127	140	165	203
	CL300	L1(BW)	-	-	153	178	203	216	229	267
	CL600		-	-	165	191	216	229	241	292
中心高度(开) (mm)Height	CL150	H	-	-	77	81	93	95	103	118
流道孔径(mm) Flow port dimension	CL300/CL600	d	-	-	61	78	84	101	120	133
重量(Kg) Weight	CL150	RF	-	-	3.6	4.6	8.5	9.2	12.5	14.8
		BW	-	-	3.0	3.6	7.6	8.5	11.3	13.6
	CL300	RF	-	-	3.7	4.8	8.8	9.6	13.7	17.8
		BW	-	-	3.2	4.3	8.0	8.6	12.7	16.2
	CL600	RF	-	-	4.0	5.8	9.5	10.4	15.6	24.5
		BW	-	-	3.4	5.1	8.8	9.2	14.8	22.5

螺栓阀盖，缩径，末端连接为法兰或对焊，设计按 BS5352

Bolted bonnet reducing port, Flange-welded or but-welded ends; design to BS5352

CL150-300-600

规格(NPS) Specification		R.P	1/4	3/8	1/2	3/4	1	1 1/4	1 1/2	2
结构长度(mm) Face to face	CL150	L(RF)	-	-	108	118	127	140	165	203
	CL300	L1(BW)	-	-	153	178	203	216	229	267
	CL600		-	-	165	191	216	229	241	292
中心高度(开) (mm)Height	CL150	H	-	-	77	81	93	95	103	118
流道孔径(mm) Flow port dimension	CL300/CL600	d	-	-	61	78	84	101	120	133
重量(Kg) Weight	CL150	RF	-	-	3.6	4.6	8.5	9.2	12.5	14.8
		BW	-	-	3.0	3.6	7.6	8.5	11.3	13.6
	CL300	RF	-	-	3.7	4.8	8.8	9.6	13.7	17.8
		BW	-	-	3.2	4.3	8.0	8.6	12.7	16.2
	CL600	RF	-	-	4.0	5.8	9.5	10.4	15.6	24.5
		BW	-	-	3.4	5.1	8.8	9.2	14.8	22.5

螺栓阀盖，缩径，末端连接为法兰或对焊，设计按 BS5352

Bolted bonnet reducing port, Flange-welded or but-welded ends; design to BS5352

CL150-300-600

规格(NPS) Specification		R.P	1/4	3/8	1/2	3/4	1	1 1/4	1 1/2	2
结构长度(mm) Face to face	CL150	L(RF)	-	-	108	118	127	140	165	203
	CL300	L1(BW)	-	-	153	178	203	216	229	267
	CL600		-	-	165	191	216	229	241	292
中心高度(开) (mm)Height	CL150	H	-	-	77	81	93	95	103	118
流道孔径(mm) Flow port dimension	CL300/CL600	d	-	-	61	78	84	101	120	133
重量(Kg) Weight	CL150	RF	-	-	3.2	3.5	4.6	5.2	7.0	16
		BW	-	-	2.8	3.0	4.0	4.6	6.3	15
	CL300	RF	-	-	4.6	6.1	9.1	12	16	21
		BW	-	-	4.1	5.7	8.4	11.2	14.5	19.5
	CL600	RF	-	-	4.8	6.3	9.3	13	16.5	22
		BW	-	-	4.4	5.9	8.7	12.1	15.8	20.8

螺栓阀盖，缩径，末端连接为法兰或对焊，设计按 BS5352

Bolted bonnet reducing port, Flange-welded or but-welded ends; design to BS5352

CL150-300-600

规格(NPS) Specification		R.P	1/4	3/8	1/2	3/4	1	1 1/4	1 1/2	2
结构长度(mm) Face to face	CL150	L(RF)	-	-	108	118	127	140	165	203
	CL300	L1(BW)	-	-	153	178	203	216	229	267
	CL600		-	-	165	191	216	229	241	292
中心高度(开) (mm)Height	CL150	H	-	-	77	81	93	95	103	118
流道孔径(mm) Flow port dimension	CL300/CL600	d	-	-	61	78	84	101	120	133
重量(Kg) Weight	CL150	RF	-	-	3.6	4.6	8.5	9.2	12.5	14.8
		BW	-	-	3.0	3.6	7.6	8.5	11.3	13.6
	CL300	RF	-	-	3.7	4.8	8.8	9.6	13.7	17.8
		BW	-	-	3.2	4.3	8.0	8.6	12.7	16.2
	CL600	RF	-	-	4.0	5.8	9.5	10.4	15.6	24.5
		BW	-	-	3.4	5.1	8.8	9.2	14.8	22.5

螺栓阀盖，缩径，末端连接为法兰或对焊，设计按 BS5352

Bolted bonnet reducing port, Flange-welded or but-welded ends; design to BS5352